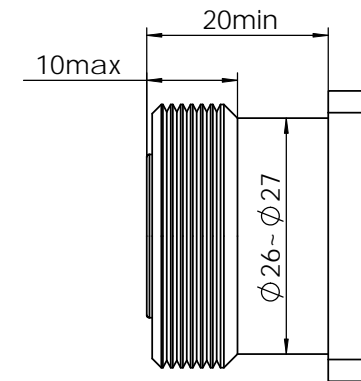
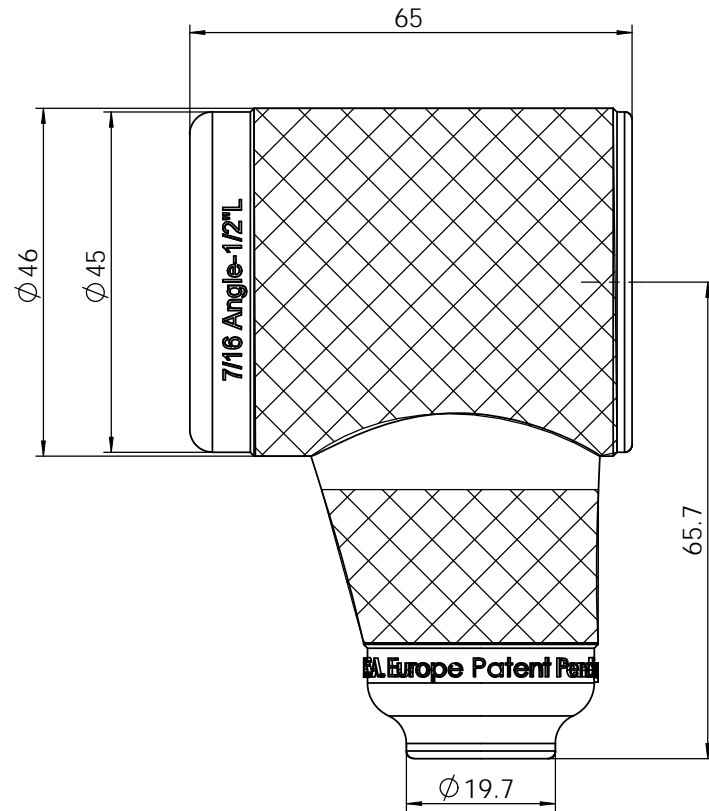


REVISIONS		
REV	DESCRIPTION	DATE
1	Add note 6	2020.1.2



receptacle(female)
connector requirement

1. UV resistant (1120W/960 h)
2. Life: 10 years
3. Working temperature: -55 °C~+155 °C
4. Acid alkali resistant
5. Waterproofing standard IP68/IP66
6. This boot needs to be installed **before** cable jumper assembly.

DRAWN		TITLE		<h2 style="text-align: center;">Amphenol</h2> <small>AMPHENOL FUYANG CO.,LTD CHANGZHOU, CHINA</small>			
CHECKED		WPS boot, 7/16 male right angle for 1/2" annular cable					DRAWING NO.
APPROVED		SHEET	SCALE	METRIC	PART NO.		
		1/1	1.5/1	mm	AF2040489		
					AFS-2040489	0	1