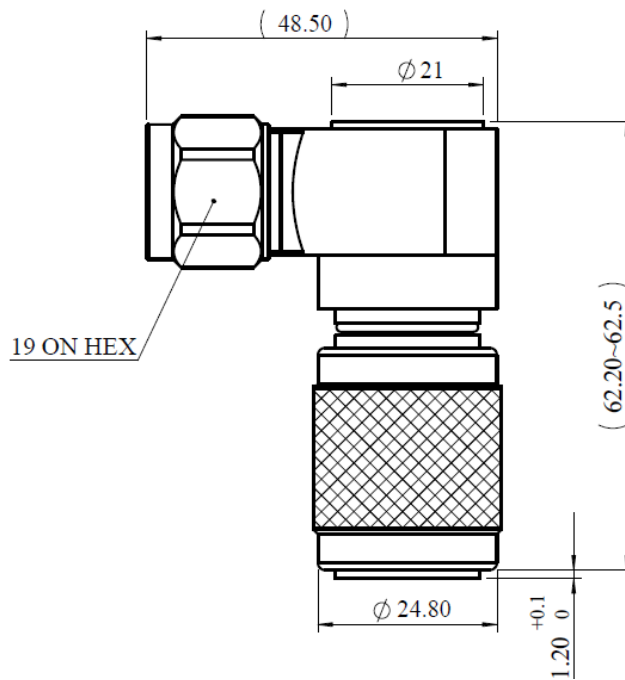
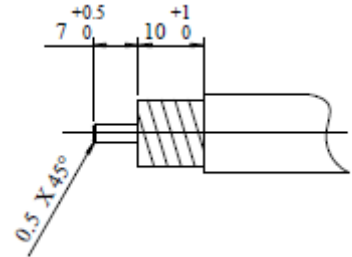


**Specification**

Product Description	N Male Angle Compression Connector for 1/2" Superflexible Cable	Date: 2020.07.20
Part NO.	AFA301-1	Ver. 1

UNIT: mm



**Reference Standard**

**IEC61169-16**

**Electrical Performance**

Nominal Impedance ( $\Omega$ )	50
Frequency Range	DC~6GHz
VSWR	$\leq 1.15(0-3\text{GHz})$

	≤1.35(3-6GHZ)
PIM (dBc)	≤-160(2*43dBm)
Insertion Loss	≤0.1√F(GHz)
Insulation Resistance(MΩ/500VDC)	≥5000
Proof Voltage (V/AC)	≥2500
Contact Resistance (mΩ)	<0.8 (Inner Conductor) <0.4 (Outer Conductor)

### Mechanical Performance

Interface Durability	500 Cycles
Nut Torque	3N.m
(Nut) Whorl Pull	500 N
Tensile Force (Cable-Connector)	400 N
Torsion (Cable-Connector)	4 N.m
Weight	234.24g

### Material and Plating

Connector Parts	Material	Plating
Inner Conductor	Spring Copper	Ag 3μm
Outer Conductor	Brass	Copper-tin-zinc 3μm
Nut	Brass	Ni3μm
Insulator	Ptfe	

### Environment

Temperature Range	-40℃~+85℃
Weather Standard	IEC60068 40/ 085/ 21
Thermal Shock	IEC60068-2-14-Na
Vibration	IEC60068-2-6-Fc
Shock	IEC60068-2-27
Waterproofing Standard	IP67
RoHS	Compliant(EU and China)

### Assembly

Inner conductor Installed and outer conductor Compressed.

Cable Supported	Cable Type Supported
Amphenol	AFY-50-12S
Andrew	FSJ4-50B
Draka	RFF1/2"-50
Eupen	EC4-50-HF
RFS	SCF12-50

NOTE: The technical specification contains proprietary information and such information may not be disclosed to others for any particular purpose or used for manufacturing purposes without written permission from Amphenol Fuyang.