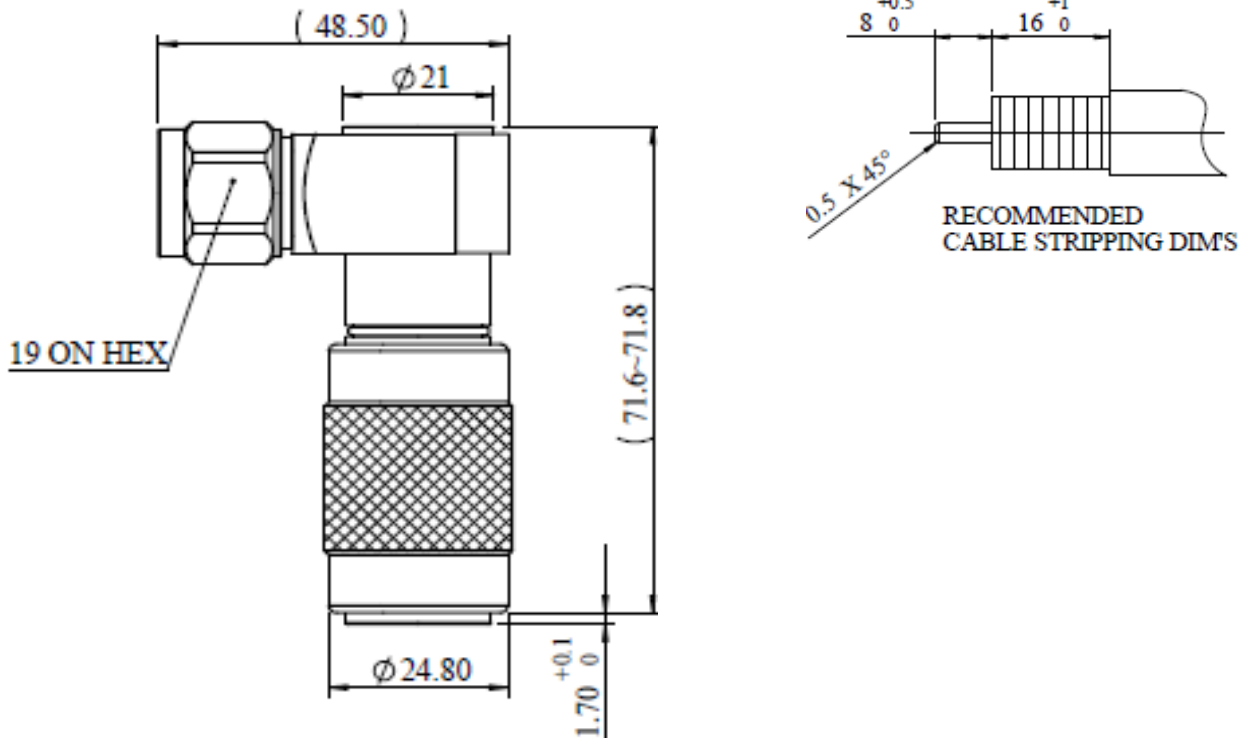


Specification

Product Description	N Male Angle Compression Connector for 1/2" Normal Cable	Date: 2018.10.12
Part NO.	AFA303-1	Ver. 1

UNIT: mm

[Installation instructions](#)



Reference Standard

IEC61169-16

Electrical Performance

Nominal Impedance (Ω)	50
Frequency Range	DC~6GHz
VSWR	≤ 1.12 (0-3GHZ) ≤ 1.25 (3-6GHZ)
VSWR(DTF)	≤ 1.06 (0-3GHZ) ≤ 1.12 (3-6GHZ)
PIM (dBc)	≤ -160 (2*43dBm)
Insertion Loss	$\leq 0.1\sqrt{F}$ (GHz)
Insulation Resistance($M\Omega$ /500VDC)	≥ 5000
Proof Voltage (V/AC)	≥ 2500
Contact Resistance ($m\Omega$)	< 0.8 (Inner Conductor) < 0.4 (Outer Conductor)

Mechanical Performance

Interface Durability	500 Cycles
Nut Torque	3 N.m
(Nut) Whorl Pull	500 N
Tensile Force (Cable-Connector)	500 N
Torsion (Cable-Connector)	5 N.m
Weight	222.68g

Material and Plating

Connector Parts	Material	Plating
Inner Conductor	Spring Copper	Ag 5μm
Outer Conductor	Brass	Copper-tin-zinc 2μm
Nut	Brass	Ni5μm
Insulator	Ptfe	

Environment

Temperature Range	-40°C~+85°C
Weather Standard	IEC60068 40/ 085/ 21
Thermal Shock	IEC60068-2-14-Na
Vibration	IEC60068-2-6-Fc
Shock	IEC60068-2-27
Waterproofing Standard	IP67
RoHS	Compliant(EU and China)

Assembly

Inner conductor Installed and outer conductor Compressed.

Cable Supported	Cable Type Supported	Cable Supported	Cable Type Supported
Amphenol	AFY-50-12R	Andrew	LDF4-50A
Draka	RF1/2"-50	Andrew	HL4RPV-50A (Plenum)
Eupen	EC4-50	Andrew	AL4RPV-50 (Plenum) (Apply to 0-4.2GHz)
RFS	LCF12-50J	RFS	ICA12-50JPLW (Plenum)

NOTE: The technical specification contains proprietary information and such information may not be disclosed to others for any particular purpose or used for manufacturing purposes without written permission from Amphenol Fuyang.