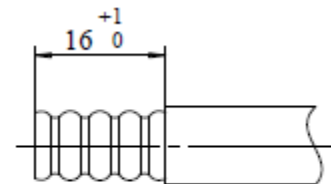
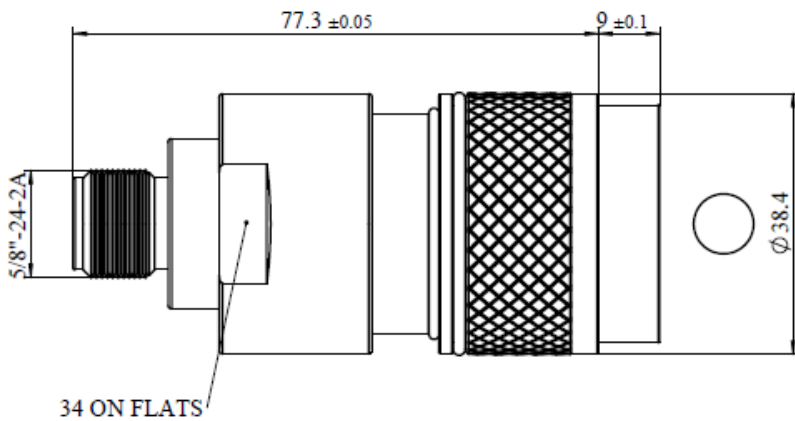


Specification

Product Description	N Female Compression Connector for 7/8" Normal Cable	Date: 2020.07.20
Part NO.	AFA500-1	Ver. 1

UNIT: mm

[Installation instructions](#)



RECOMMENDED
CABLE STRIPPING DIM'S



Reference Standard

IEC61169-16

Electrical Performance

Nominal Impedance (Ω)	50
Frequency Range	DC~6GHz
VSWR	≤1.10(0-3GHZ) ≤1.25(3-6GHZ)
PIM (dBc)	≤-160(2*43dBm)
Insertion Loss	≤0.05√F(GHZ)
Insulation Resistance(MΩ/500VDC)	≥5000
Proof Voltage (V/AC)	≥2500
Contact Resistance (mΩ)	≤0.8 (Inner Conductor) ≤0.4 (Outer Conductor)

Mechanical Performance

Interface Durability	500 Cycles
Nut Torque	3 N.m
(Nut) Whorl Pull	500 N
Tensile Force (Cable-Connector)	500 N
Torsion (Cable-Connector)	5 N.m

Material and Plating

Connector Parts	Material	Plating
Inner Conductor	Spring copper	Ag 3μm
Outer Conductor	Brass	Copper-tin-zinc 3μm
Insulator	PTFE/TPX	
O-Ring	Silicone Rubber	

Environment

Temperature Range	-40°C~+85°C
Weather Standard	IEC60068 40/ 085/ 21
Thermal Shock	IEC60068-2-14-Na
Vibration	IEC60068-2-6-Fc
Shock	IEC60068-2-27
Waterproofing Standard	IP67
ROHS	Compliant(EU and China)

Assembly

Inner conductor Installed and outer conductor Compressed.

Cable Supported	Cable Type Supported
Amphenol	AFY-50-78RLL
Draka	RF7/8"-50
Eupen	EC5-50A
Andrew	LDF5-50A
RFS	LCF78-50JA

NOTE: The technical specification contains proprietary information and such information may not be disclosed to others for any particular purpose or used for manufacturing purposes without written permission from Amphenol Fuyang.